



Parabolic antenna JRMA - 380 -10 UPB

Antenna JRMA – 380 – 10 UPB is designed for microwave links at the frequency bands 10 GHz. Precise performance is complying with standard ETSI EN 302-217-4-2 class 2. Whole antenna system with bracket JDMW-900 has extreme wind stability.

Electrical parameters:

Frequency range	10.3 – 10.7 GHz
Gain	28.3 dBi
Front to back ratio	≥ 49 dB
Beamwidth_{-3 dB}	6°
Return loss (VSWR)	≥ 18 dB (≤ 1,3)
Polarization	According to mounting unit - 2 x 45° or Vertical / Horizontal
ETSI standard	EN 302-217-4-2 v1.5.1 Class 2

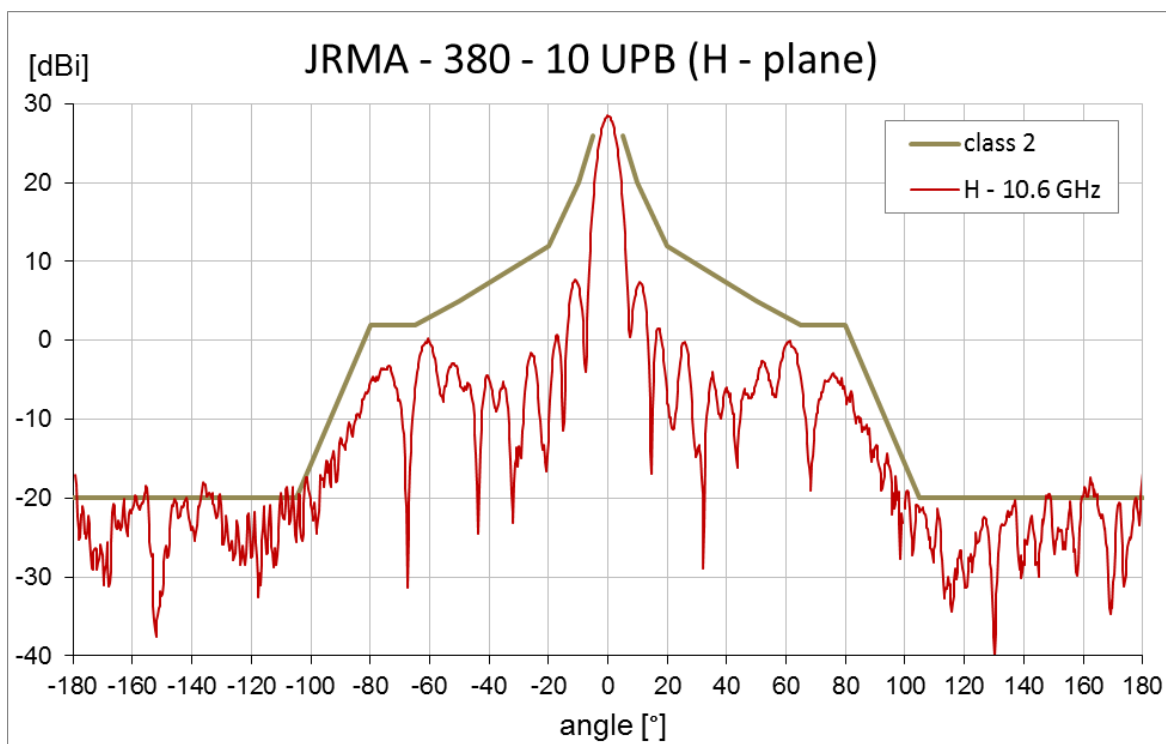
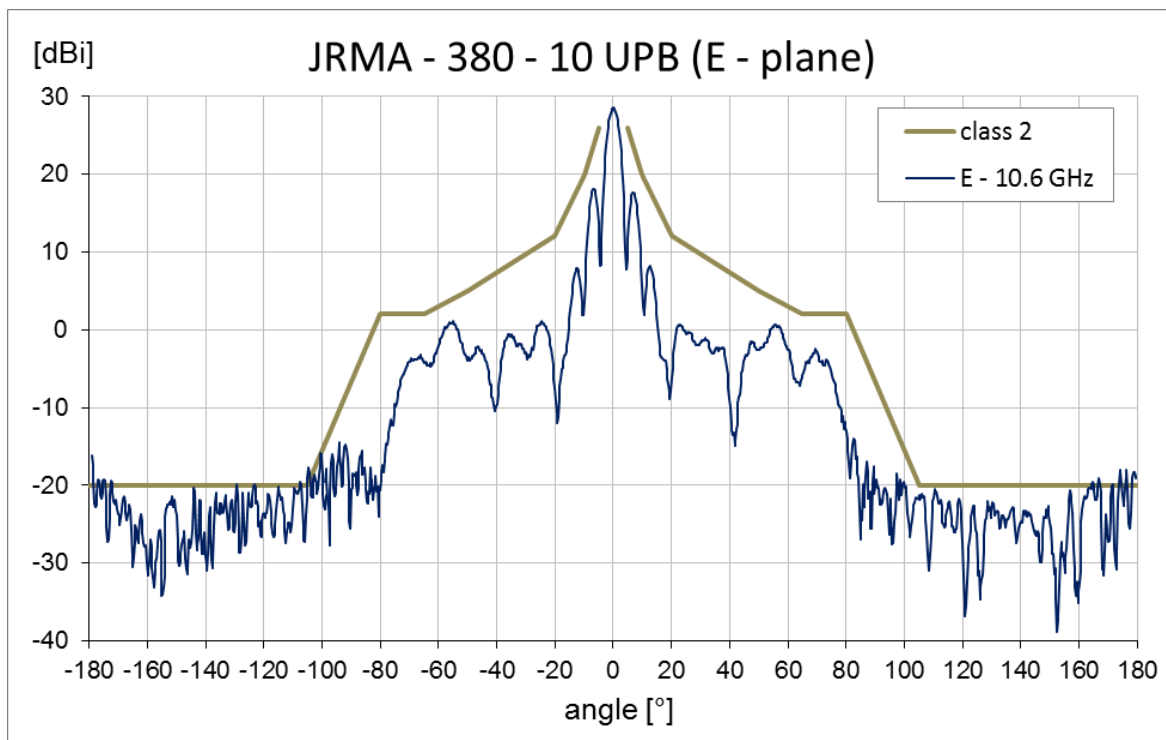
Mechanical parameters:

Parabola	∅ 380 mm, Aluminium alloy
Cover	UV steady plastic ABS
Input / output	Circle waveguide 19,5 mm Compatible with PowerBridge M10
Installation for mast	∅ 40 - 120 mm
Operating wind load	180 km/h
Survival wind load	240 km/h
Weight of antenna	4.4 kg (9.7 lbs.)
of bracket	3.5 kg (7.7 lbs.)
Shipping dimensions	485 mm x 485 mm x 350 mm

The antenna is supplied together with a bracket that allows easy mounting on a mast. Bracket can be installed separately on the mast. Subsequently, you can simply hang up the antenna with microwave unit into it. Bracket allows fine setting elevation (of gradient) and azimuth $\pm 20^\circ$. It is possible to mount to right and left side.

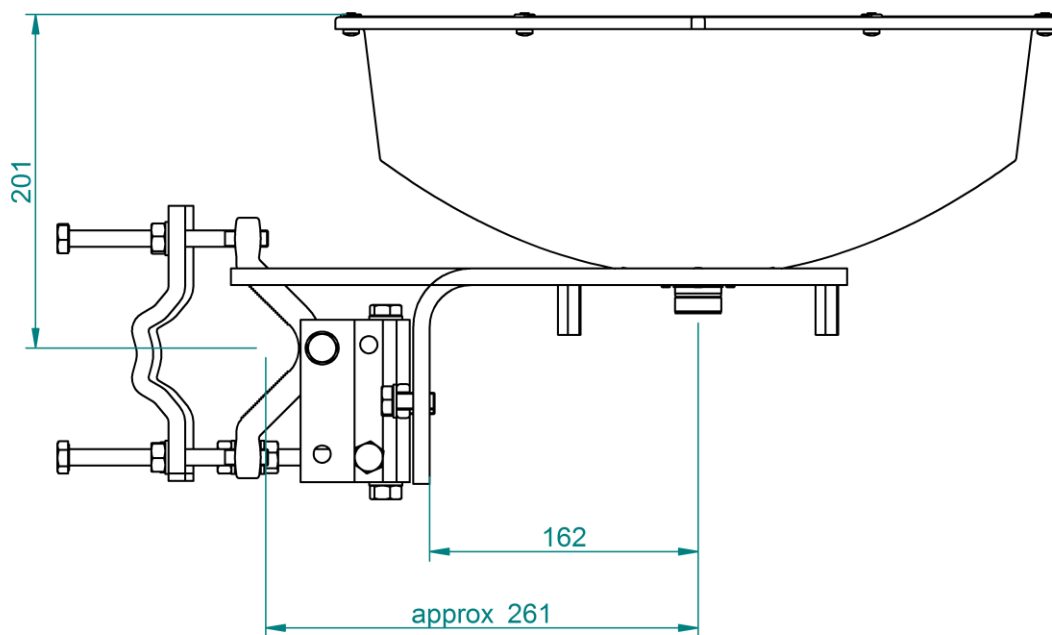
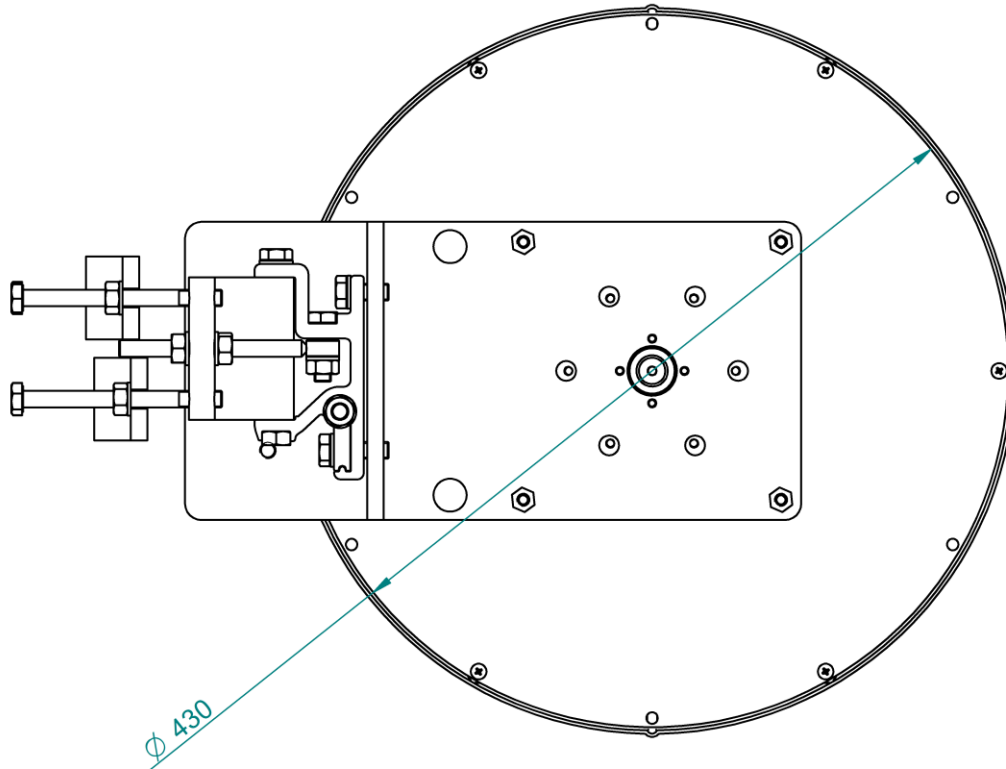
Parabolic antenna JRMA - 380 - 10 UPB

Measurement of radiation pattern:



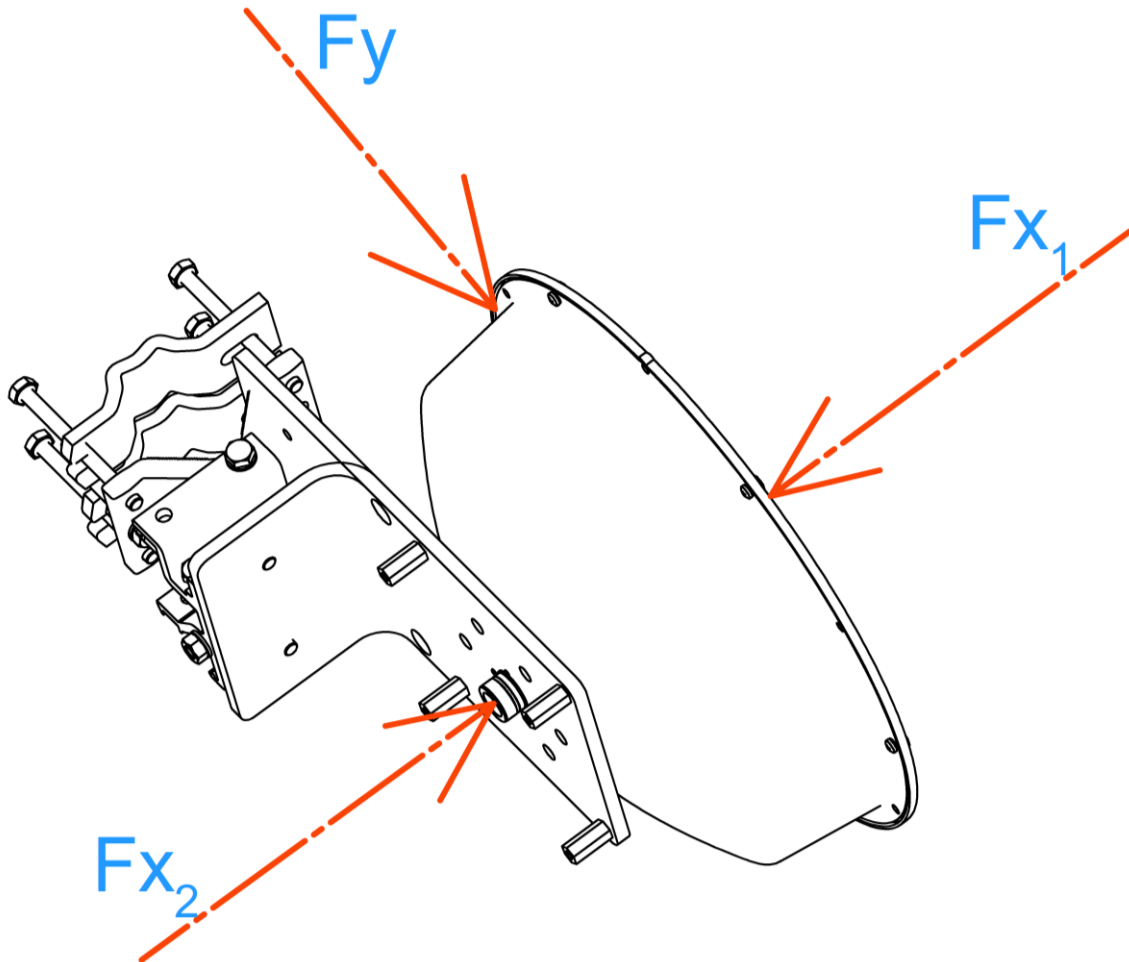
Parabolic antenna JRMA - 380 -10 UPB

Outline:



Parabolic antenna JRMA - 380 -10 UPB

Wind loading:



Wind Loading at 200 km/h (125 mph)		
Direction	Force [N]	Force [lbf]
Fx1	330	74
Fx2	166	37
Fy	33	7,5