



## Adaptor JXEricsson Mini 11

The adaptor is designed for **Jirous antennas** (of the required frequency band) and allows the installation of **Ericsson Minilink** radio units.

### Technical parameters:

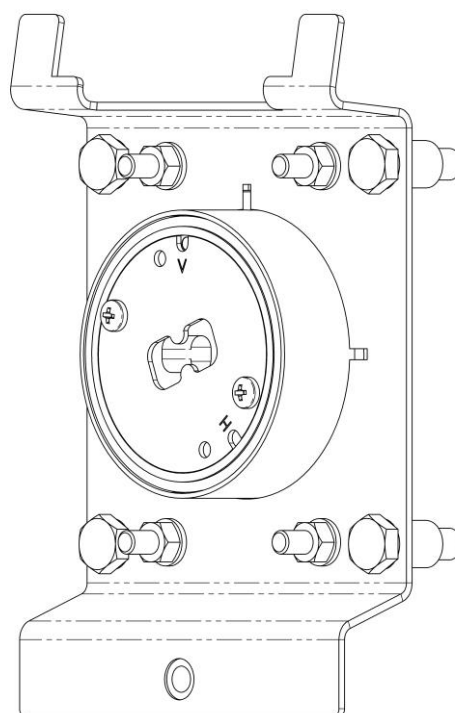
<b>Frequency band</b>	11 GHz
<b>Polarization</b>	vertical or horizontal
<b>Insert loss</b>	< 0,1 dB
<b>Waveguide</b>	Rectangular
<b>Weight</b>	1 kg (2.2 lbs)
<b>Package size/weight</b>	220x235x50 mm / 1kg (2.2 lbs)

### Compatible radio units:

#### Ericsson Minilink

Ready for mounting the holder of IDU.

The holder of IDU is not included.

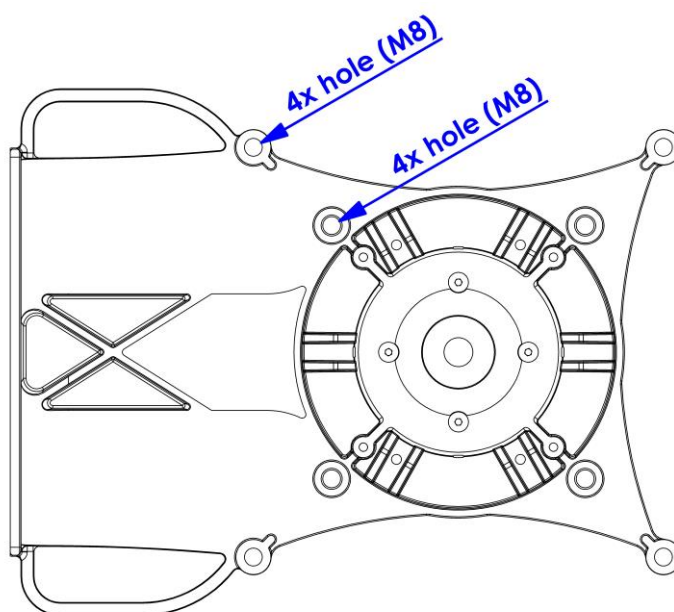


## Adaptor JXEricsson Mini 11

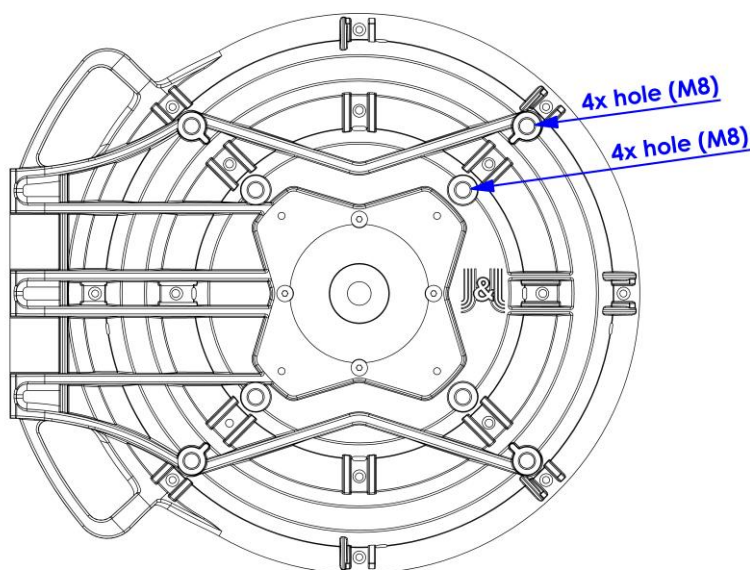
### Suitable antennas:

Adaptors require mounting holes M8 at antenna (see pictures below). All Jirous antennas since the year 2022 are compatible.

400 mm / 1 ft antennas  
with back part:

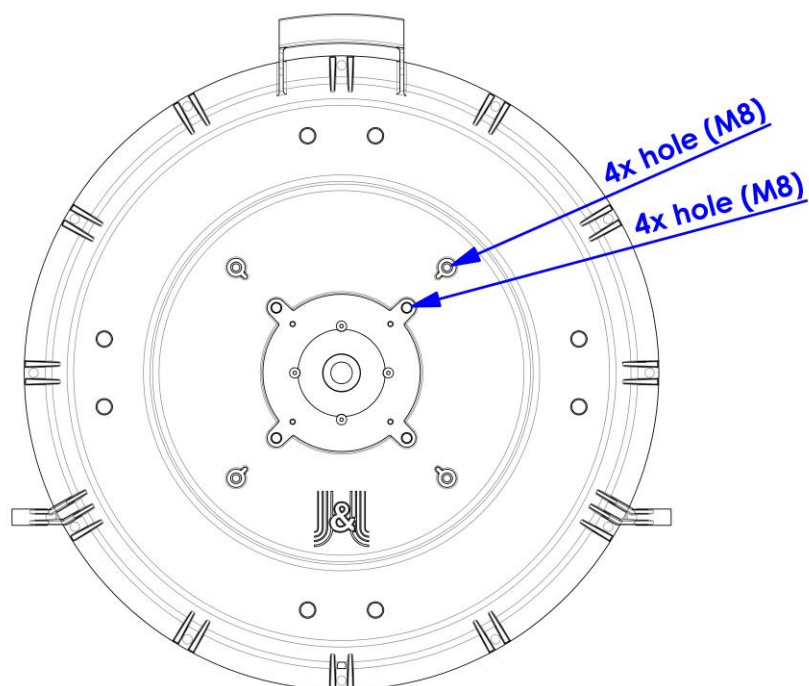


680 and 900 mm / 2 and 3 ft  
antennas with back part:



## Adaptor JXEricsson Mini 11

1200 mm / 4 ft antennas  
with back part:



1800 mm / 6 ft antennas  
with back part:

