

Adaptor JXSIAL-17/18

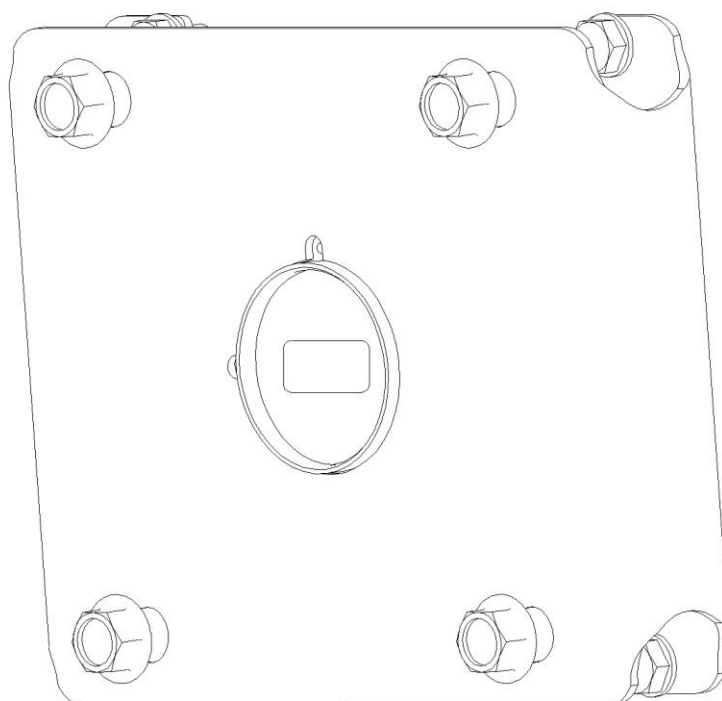
The adaptor is designed for **Jirous antennas** (of the required frequency band) and allows the installation of **SIAE Alfo plus** radio units.

Technical parameters:

Frequency band	17/18 GHz
Polarization	vertical or horizontal
Insert loss	< 0,1 dB
Waveguide	Rectangular
Material	Aluminum alloy with high corrosion protection Stainless steel
Weight	1 kg (2.2 lbs)
Package size/weight	220x235x50 mm / 1kg (2.2 lbs)

Compatible radio units:

SIAE Alfo plus



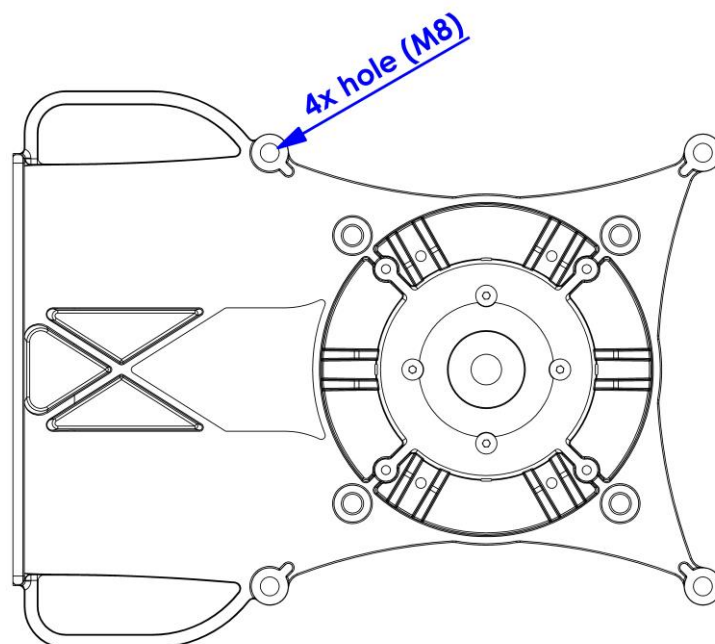
the adaptor

Adaptor JXSIAL-17/18

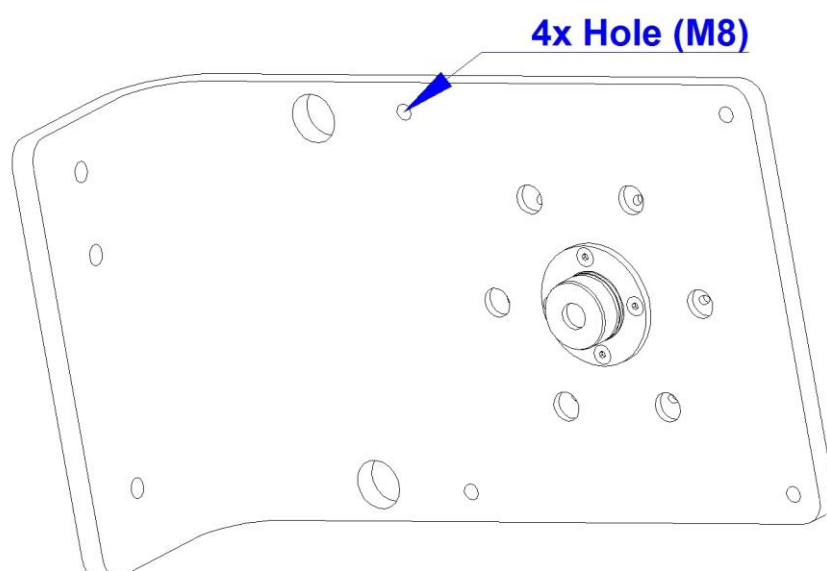
Suitable antennas:

Adaptors require mounting holes M8 at antenna (see pictures below).

400 mm / 1 ft antennas
with back part:



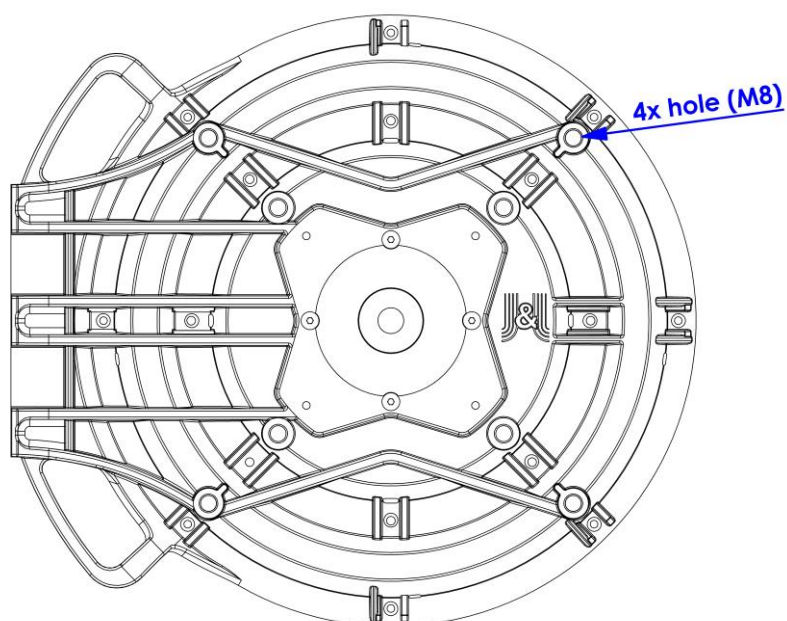
400 mm / 1 ft older model:



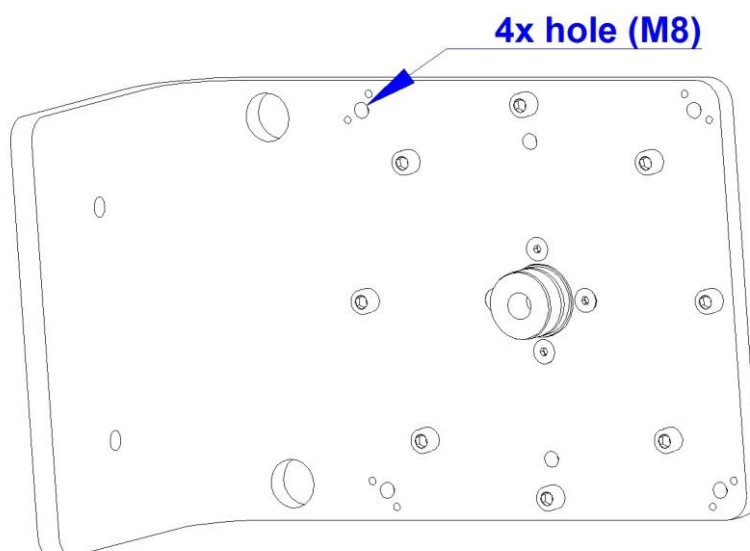


Adaptor JXSIAL-17/18

680 and 900 mm / 2 and 3 ft
antennas with back part:



680 mm / 2 ft older model:



1200 mm / 4 ft antennas: all models

1800 mm / 6 ft antennas: all models